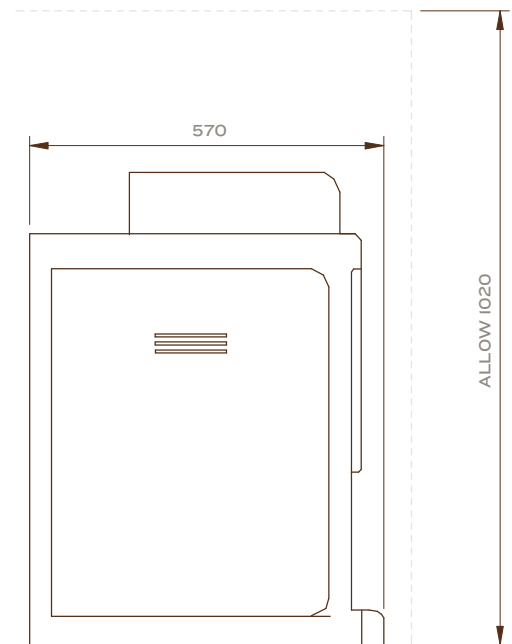
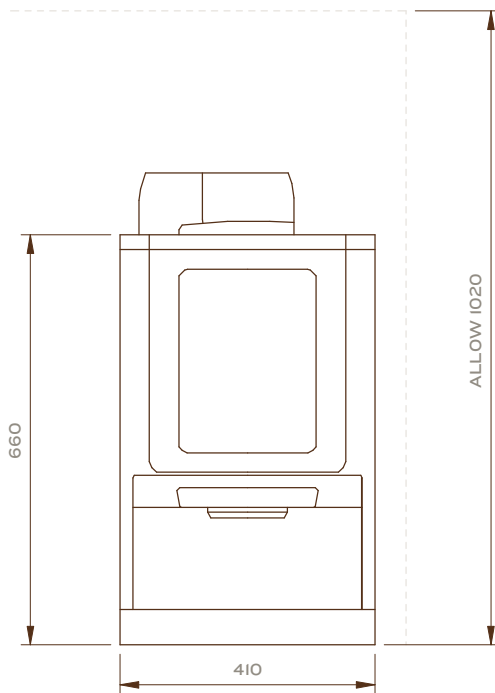
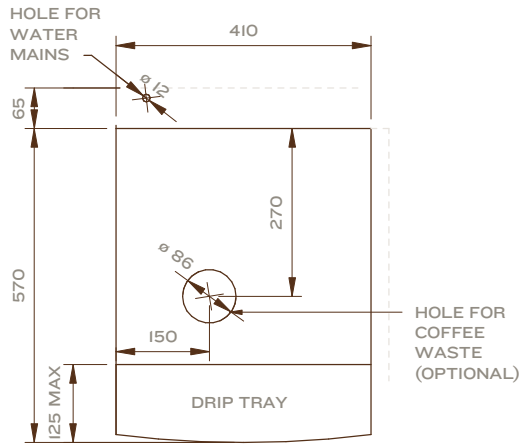


Business

INSTALLATION INFORMATION

A natural fit to any office environment that wants an incredible cup of coffee with minimal fuss.



POWER:	1 x 13 amp plug above the counter top and within 1m of where machine is situated
WATER:	15mm copper terminating in a $\frac{3}{4}$ washing machine valve in cupboard below where machine will be situated
WORKTOP:	12mm hole 30mm from the back wall behind where the machine will be installed. This will connect the water pipe from the cupboard below to the back of the coffee machine. The Office Coffee Company will drill the hole when the coffee machine is in place only when the worktop is standard laminate or MDF – not Corian, marble, or stone.